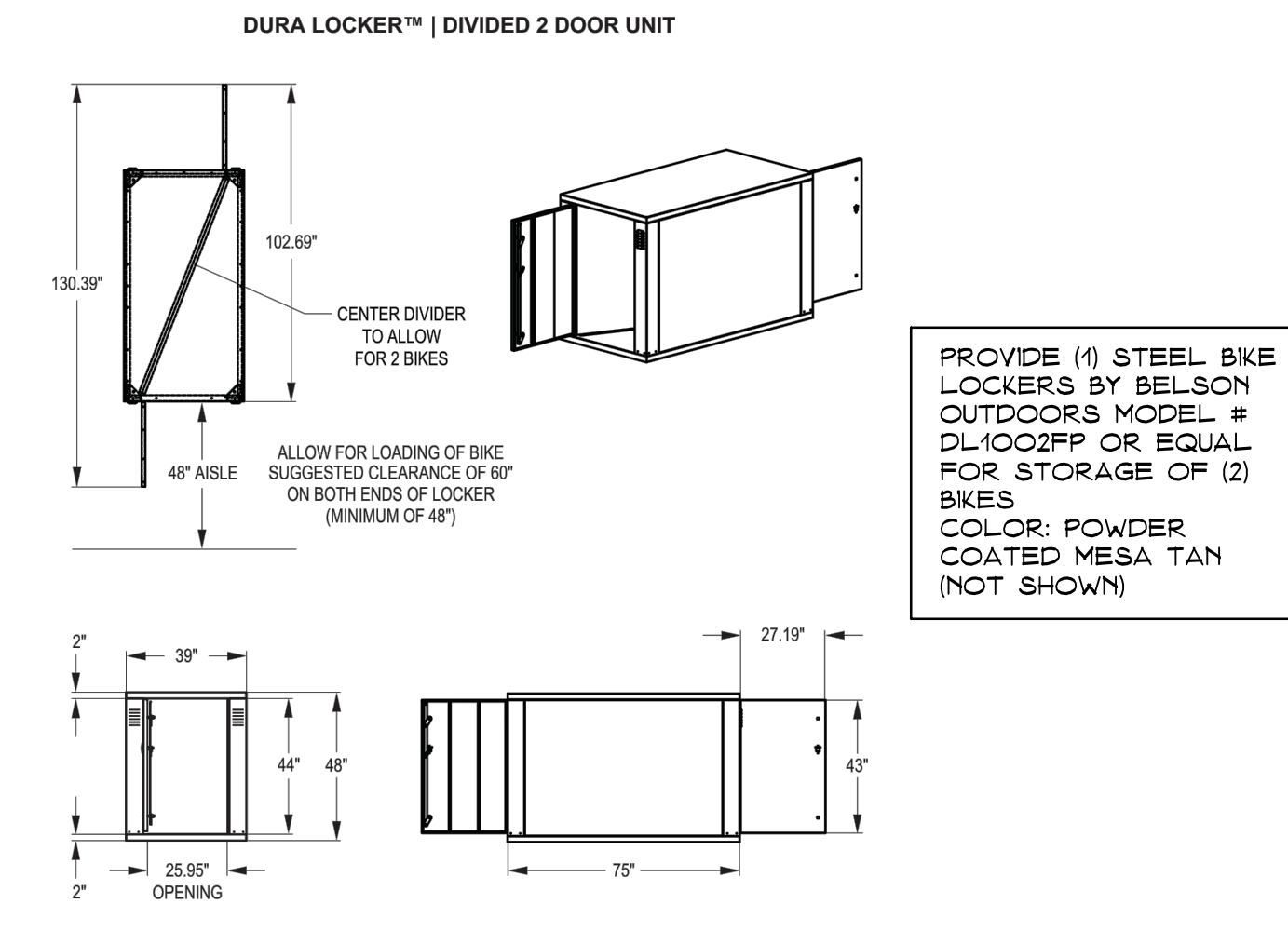
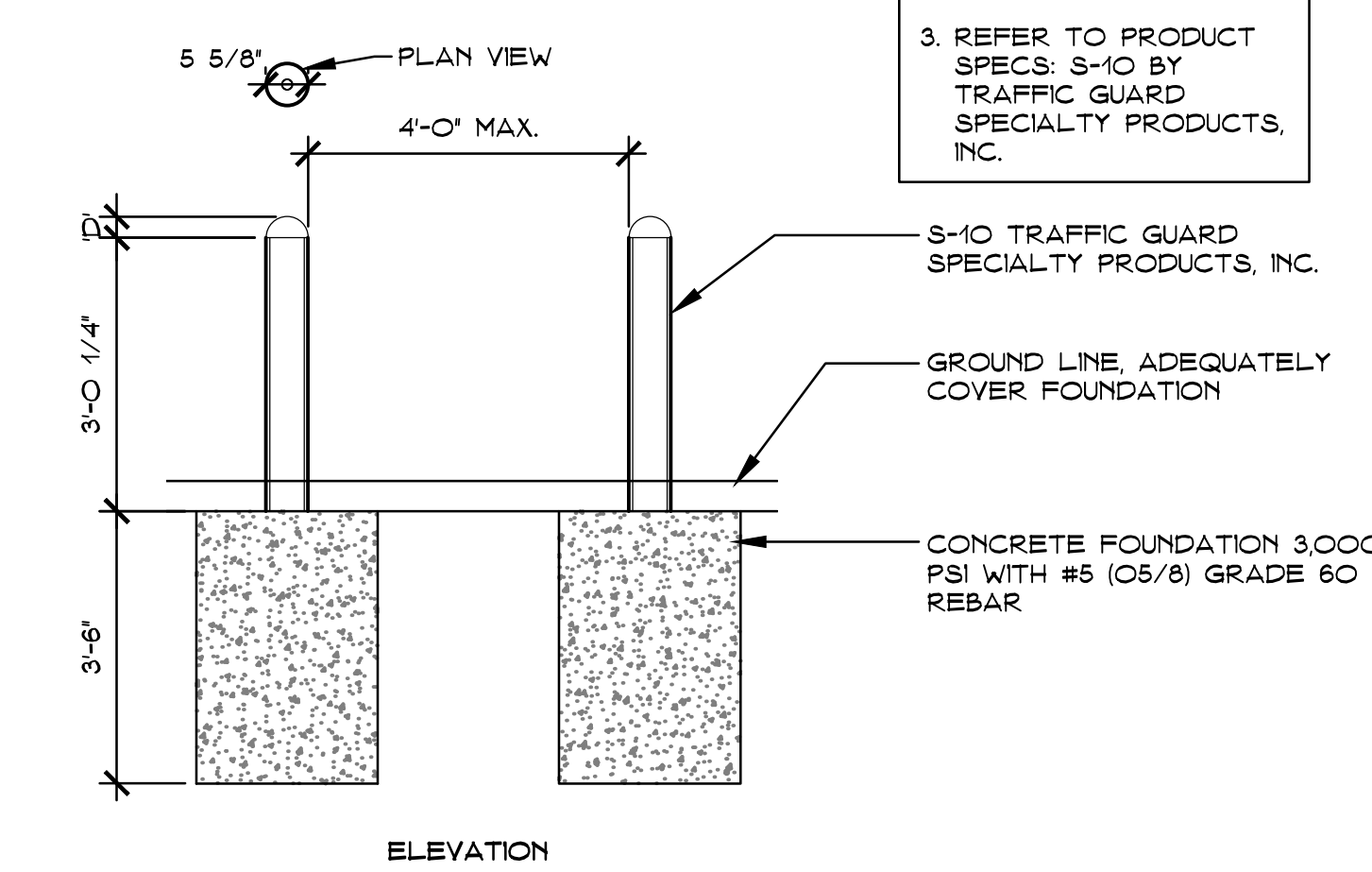
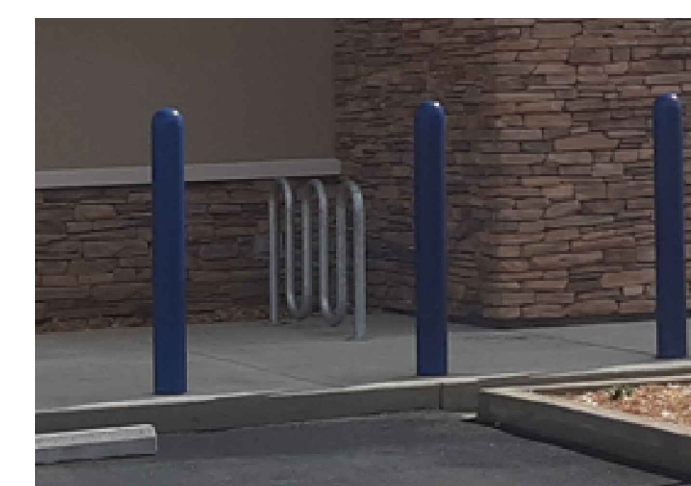


BELSON OUTDOORS
 Model # DL1002FP Dimension Sheet

111 North River Road
 North Aurora, IL 60562
 Phone: (800) 223-5664
 Fax: (800) 887-6273
 sales@belson.com

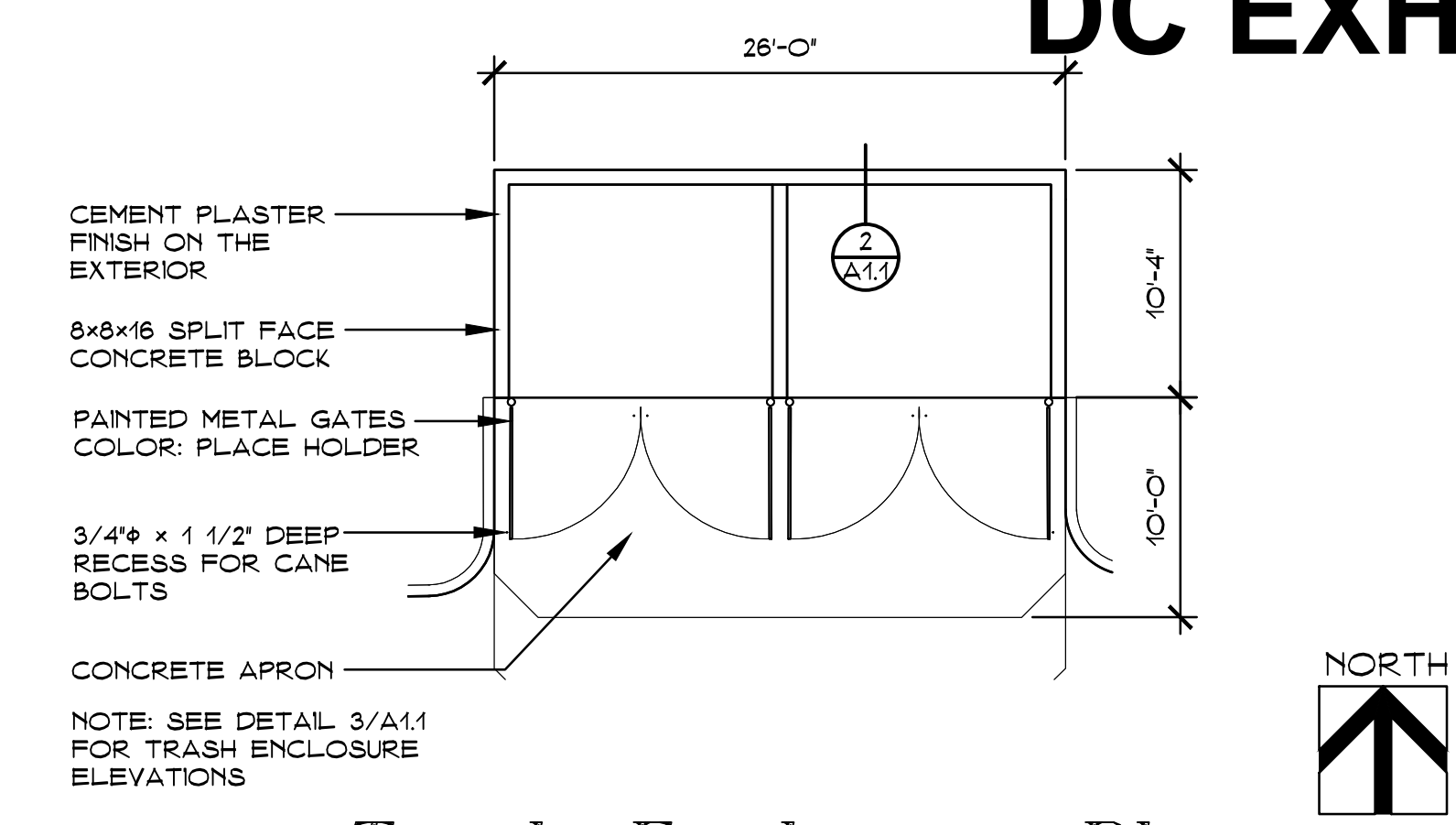


Bike Locker
 Not to Scale

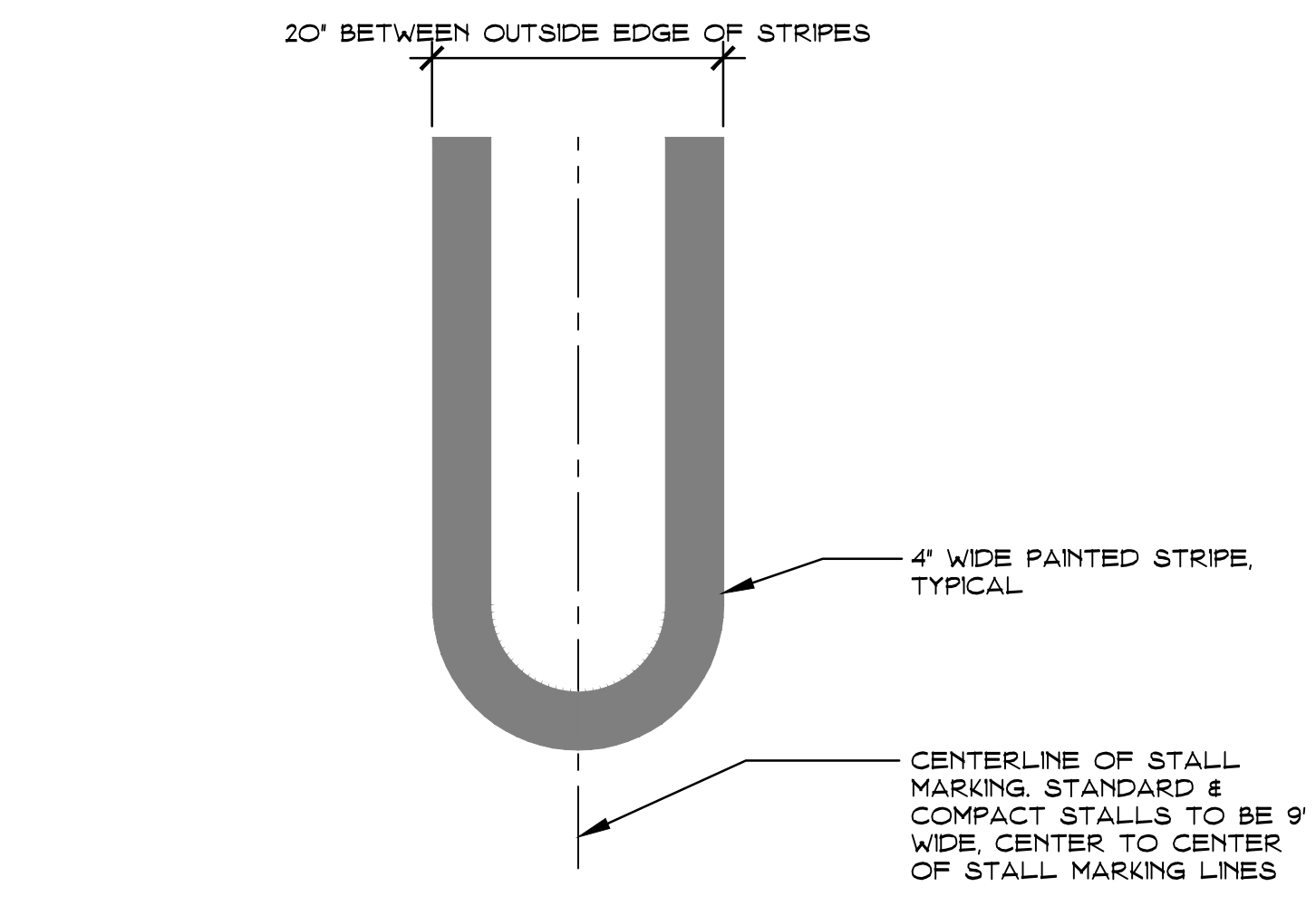


Bollard Detail
 Scale: 1/2" = 1'-0"

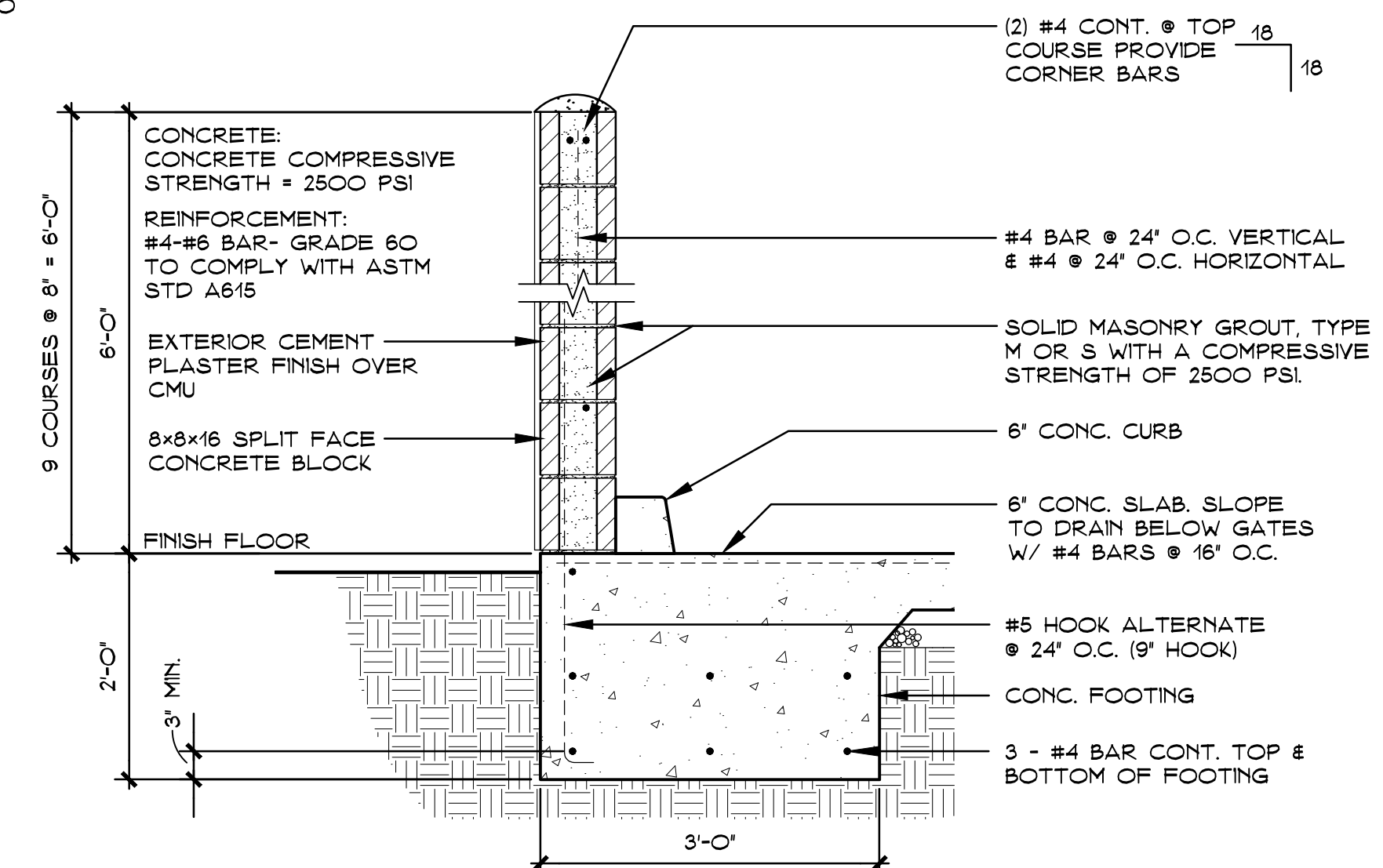
- BOLLARD NOTES:**
1. VERIFY LOCATION OF UNDERGROUND UTILITIES BEFORE DRILLING FOR CONCRETE FOUNDATION.
 2. PIPE BOLLARDS LOCATED AT TRASH ENCLOSURE ALONG PLAYGROUND AND TO PROTECT ELECTRICAL TRANSFORMERS WHEN REQUIRED.
 3. REFER TO PRODUCT SPECS: S-10 BY TRAFFIC GUARD SPECIALTY PRODUCTS, INC.



Trash Enclosure Plan
 Scale: 1/8" = 1'-0"



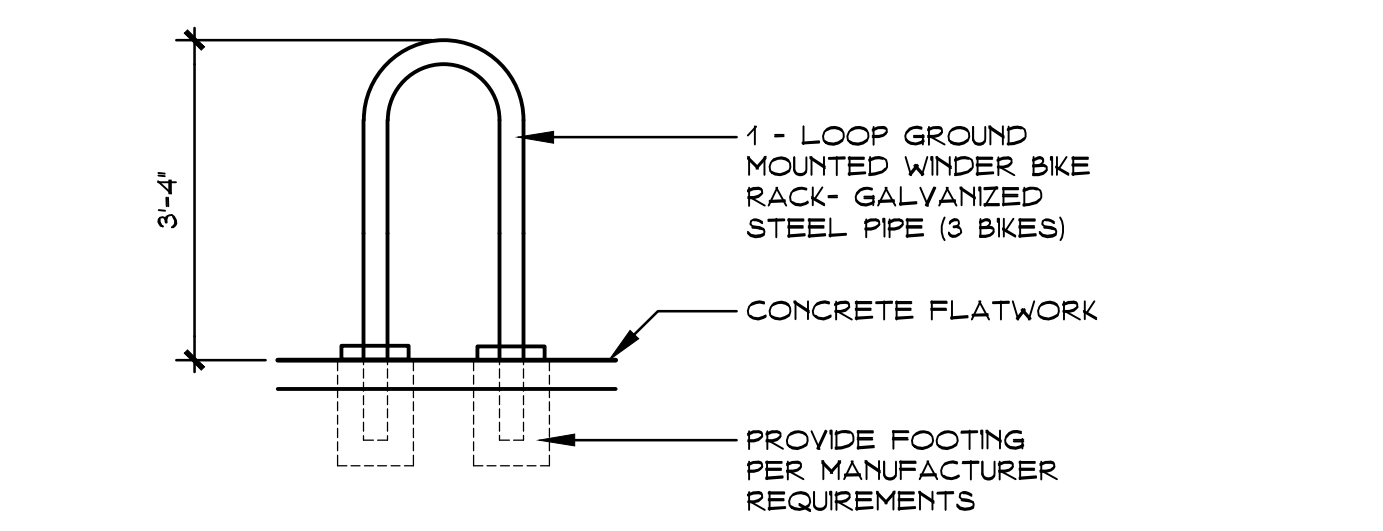
Typical Parking Stall
 Not to Scale



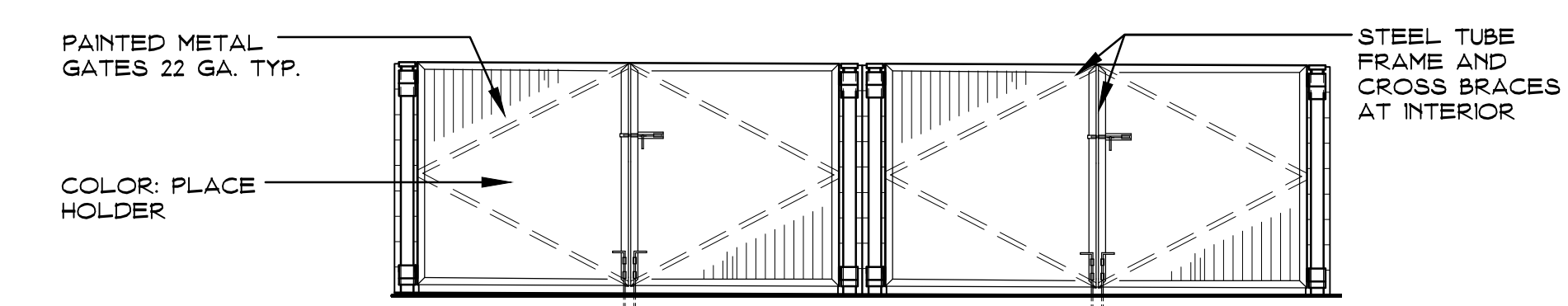
Trash Enclosure Section
 Scale: 3/4" = 1'-0"



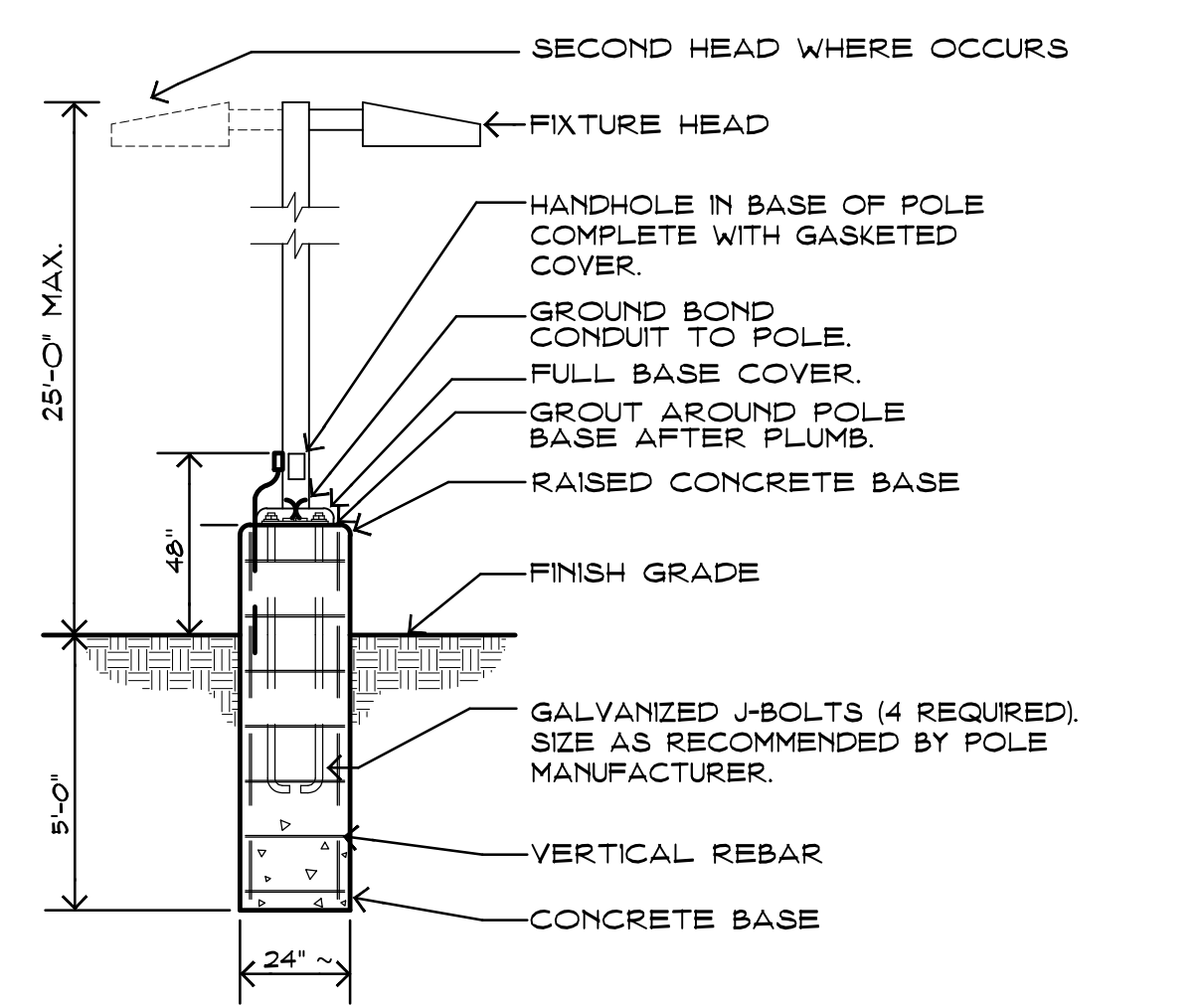
Site Light Fixture
 Not to Scale



Bicycle Parking
 Not to Scale



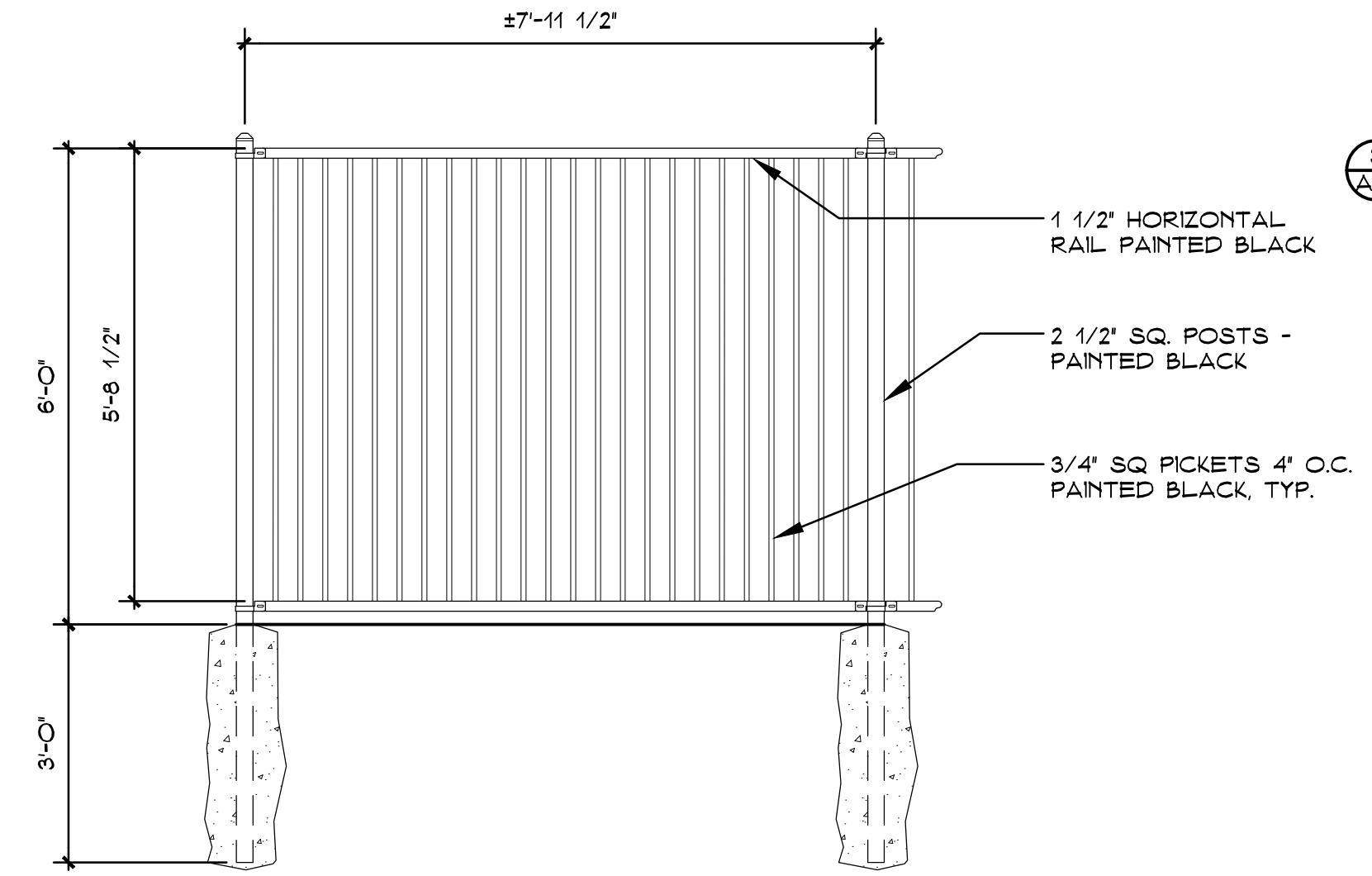
Trash Enclosure Elevation
 Scale: 1/4" = 1'-0"



Pole Base Detail
 Not to Scale



Wood Guard Rail
 Not to Scale



Typical Fencing Detail
 Scale: 1/2" = 1'-0"

PERKINS, WILLIAMS & COTTERILL ARCHITECTS
 3320 Data Drive, Suite 200 • Rancho Cordova, California 95670
 T (916) 851-1400 F (916) 851-1408 E pwcarch@pwcarchitects.com

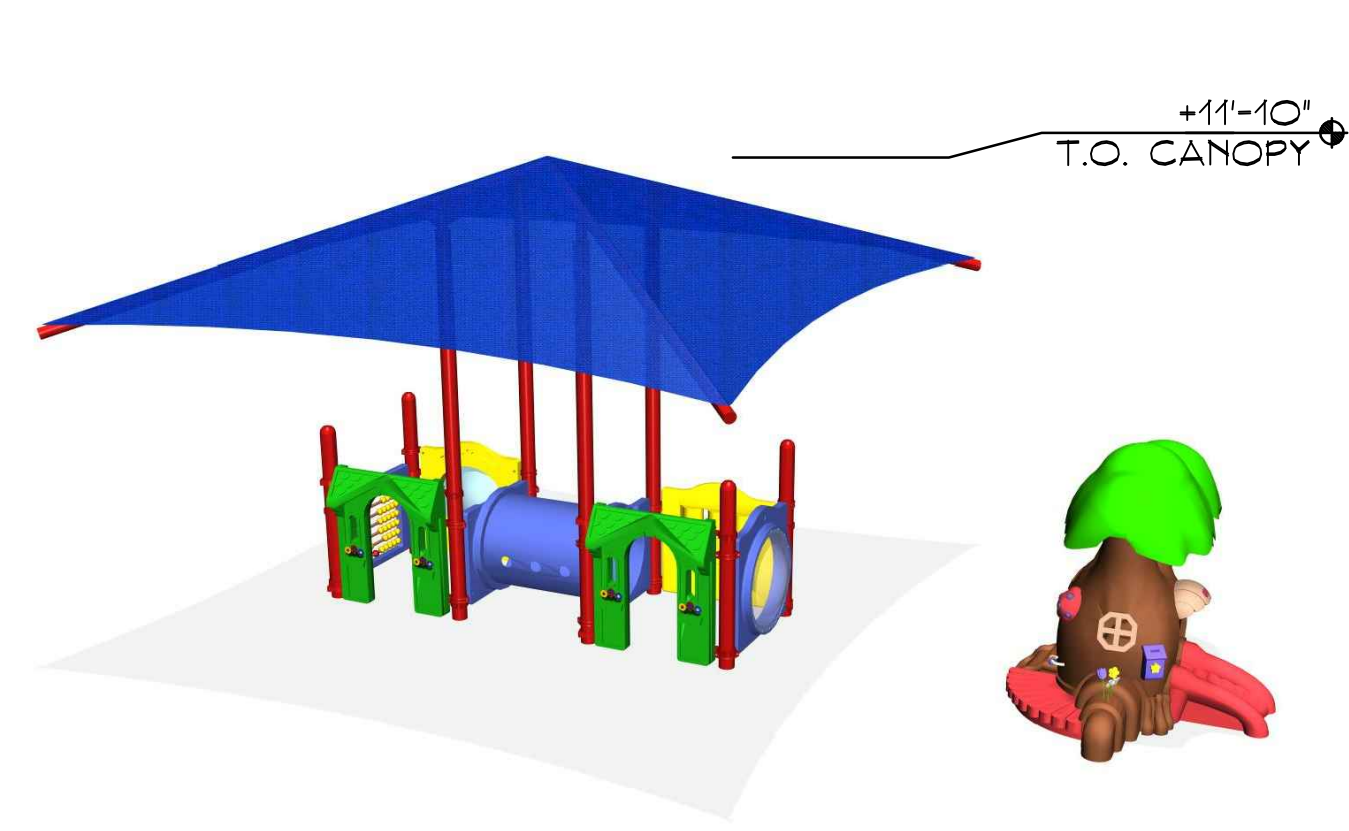
Site Details

Project: GODDARD ROSEVILLE

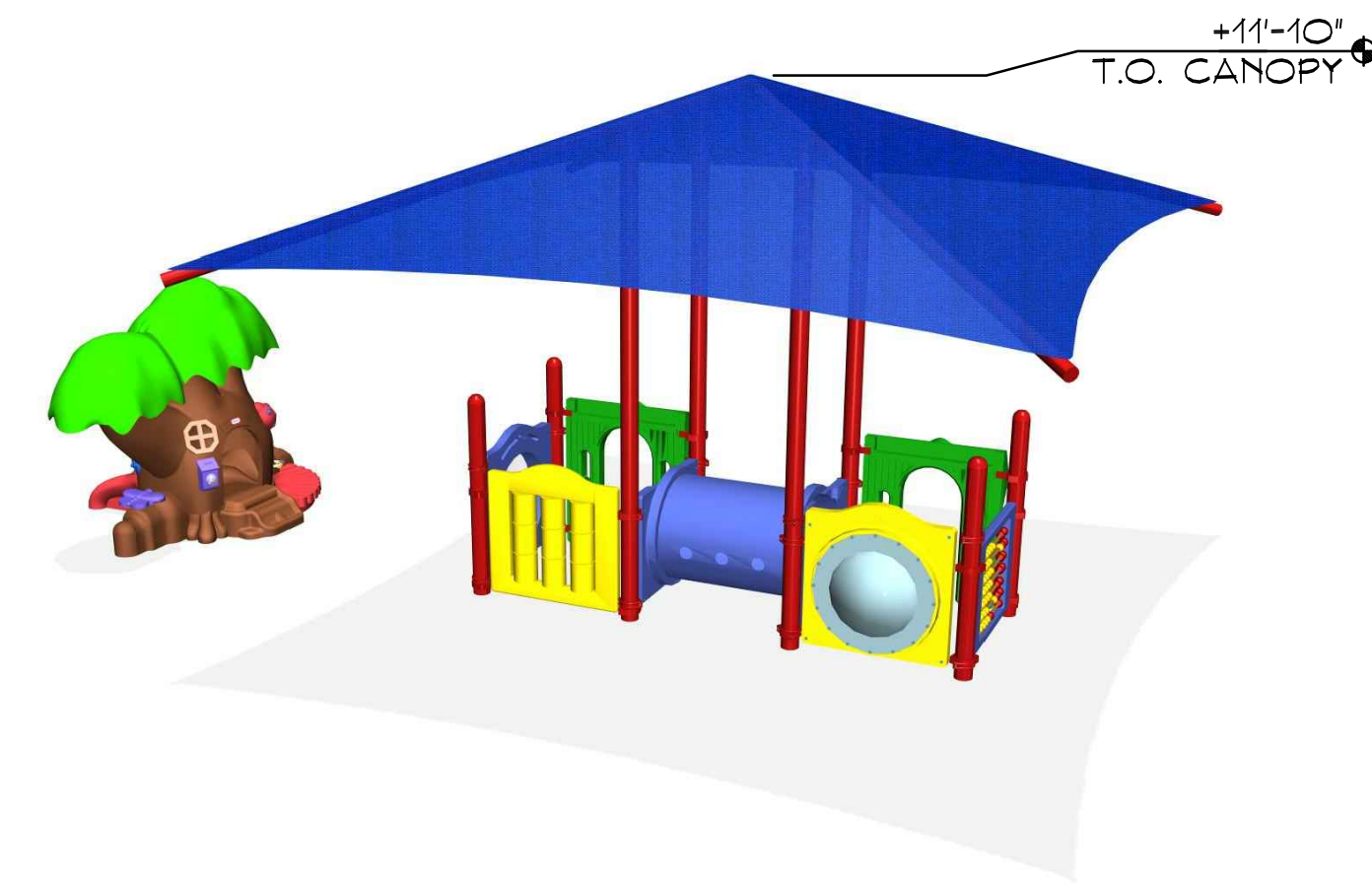
Job No. 21-711 Date: 12-1-21

Scale: 3/32" = 1'-0"

Goddard School
 Blue Oaks Blvd, Roseville CA



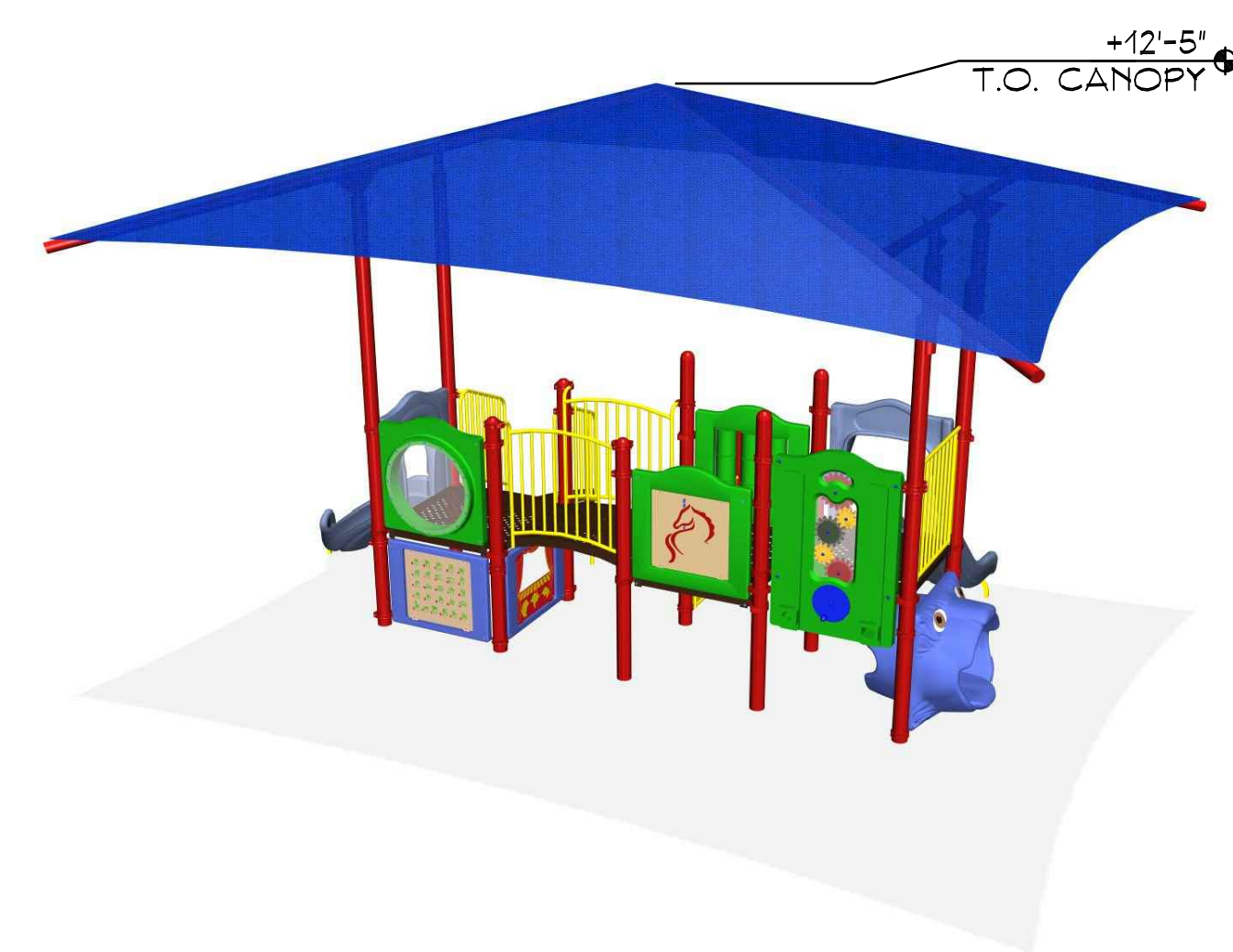
2
A12
Infant Play Area – Front
Scale: none



1
A12
Infant Play Area – Rear
Scale: none



4
A12
Pre-School Play Area – Front
Scale: none



3
A12
Pre-School Play Area – Rear
Scale: none

Goddard Rancho Cordova
Blue Oaks Blvd, Roseville CA

PERKINS, WILLIAMS & COTTERILL
ARCHITECTS
3320 Data Drive, Suite 200 - Rancho Cordova, California 95670
T (916) 851-1400 F (916) 851-1408 E pwcarch@pwcarchitects.com

Playgrounds

Project: GODDARD - ROSEVILLE

Job No. 21-711 Date: 12-1-21

Scale: AS NOTED

A1.2